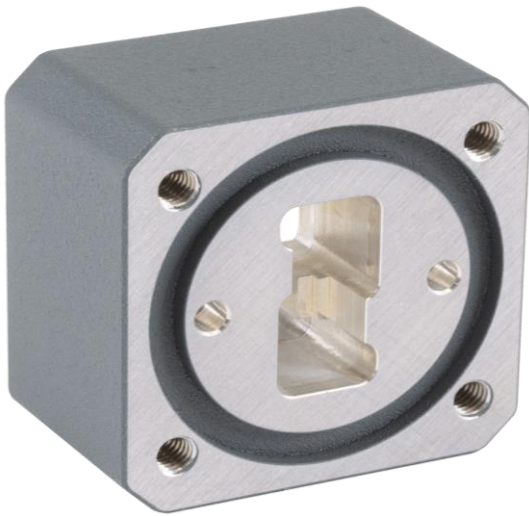
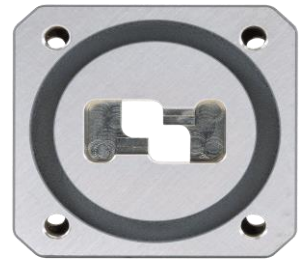


flexiguide

Product Specification



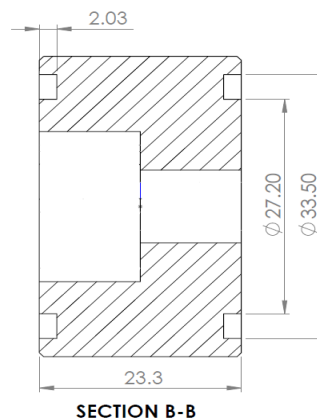
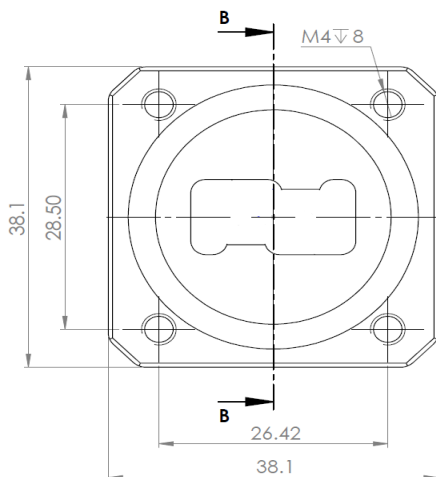
Front View



Rear View



Product in use



Part Number:

ST17KK-90-P-*

* = see options below

Description / Mechanical Specifications

| | |
|--------------------|---|
| Product Type: | Waveguide Twist (Super-Twist) |
| Waveguide Size: | WG17 / WR75 / R120 |
| Flange 1: | 17K (PBR120) |
| Flange 2: | 17K (PBR120) |
| Twist Angle: | 90° |
| Material / Finish: | Aluminium / Passivated |
| * Paint Finish: | G = Gray (RAL 7012), B = Black, W = White |
| Accessories: | None |

Electrical Specifications

| | |
|------------------|-----------------|
| Frequency Range: | 10.0 - 15.0 GHz |
| Insertion Loss: | 0.1 dB |
| Return Loss: | 27.3 dB |

Environmental Performance

| | |
|--------------------|-------------------------------|
| Temperature Range: | -70 to +150°C |
| ETSI Class: | ETSI EN 300-019-2-4 Class 4.1 |
| I.P. Rating: | IP65 (Weatherproof) |